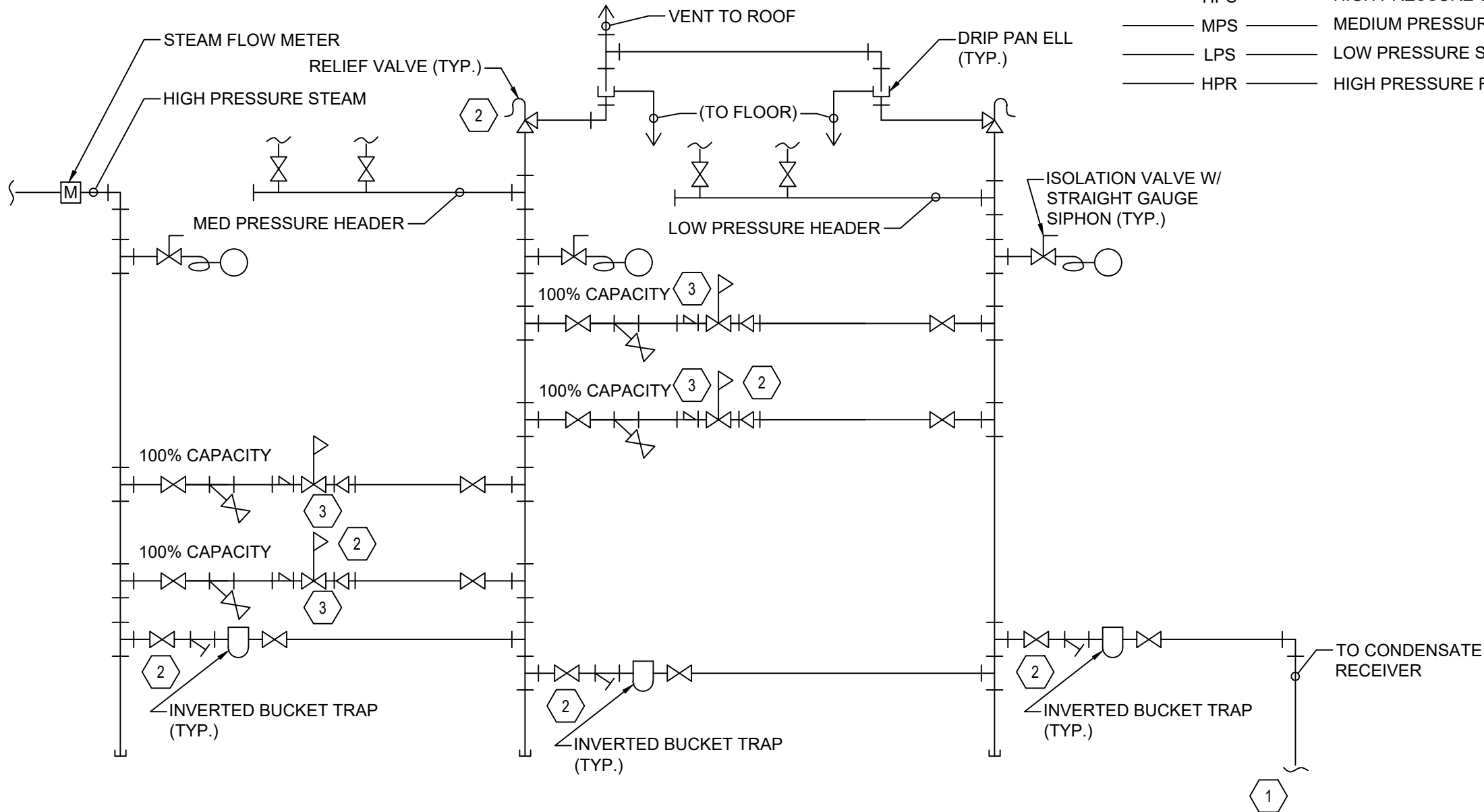


LEGEND

- HPS ——— HIGH PRESSURE STEAM (100#)
- MPS ——— MEDIUM PRESSURE STEAM (60#)
- LPS ——— LOW PRESSURE STEAM (15#)
- HPR ——— HIGH PRESSURE RETURN



- 1 DO NOT MIX HIGH & LOW PRESSURE CONDENSATE IN SAME LINE.
- 2 INSULATE ALL SERVICEABLE FITTINGS WITH BLANKETS ATTACHED WITH VELCRO STRAPS.
- 3 PILOT OPERATED PRESSURE REDUCING VALVE. PRESSURE REDUCING VALVE MUST BE FLANGED OR INSTALLED W/UNIONS & SWING ELBOWS (ON 2" OR SMALLER INSTALLATIONS.)